

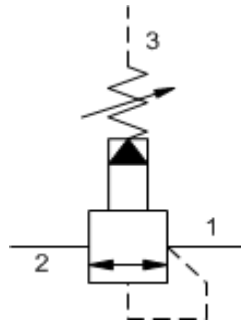
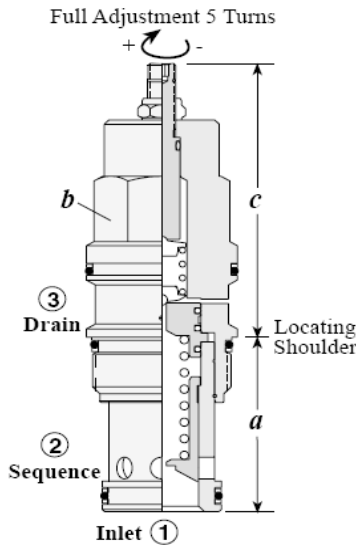
**VALVULAS DE SECUENCIA**



**LISTA DE PRECIOS**

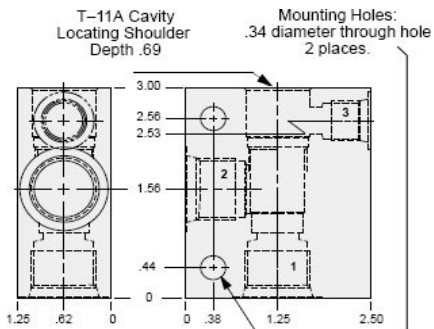
# VALVULA DE SECUENCIA

## PILOTO INTERNO / DRENAJE EXTERNO

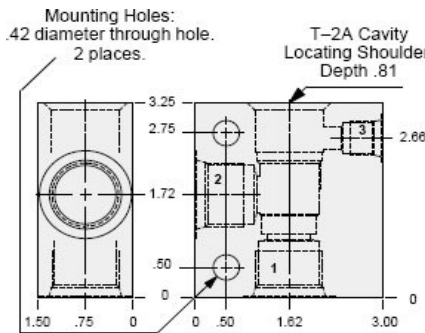


Typical Cartridge Model Code	Cartridge Dimensions				
	a	b	L	C	K
<b>RSDC – LAN</b>	1.38	7/8"	2.50	2.56	2.75
<b>RSFC – LAN</b>	1.38	1 1/8"	2.81	2.88	3.06
<b>RSHC – LAN</b>	1.81	1 1/4"	3.28	3.31	3.53

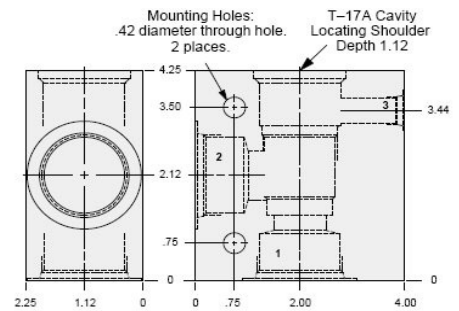
### ECB, ECC



### BCD

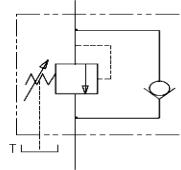


### HCE, HCM

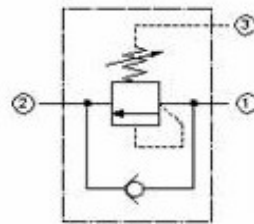
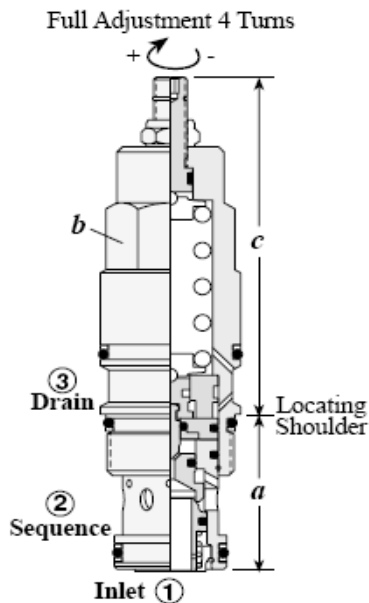


CODIGO	MODELO	GPM	CAVIDAD	PUERTOS	PRESION PSI	PRECIO DOLARES
<b>G-SH-073-205</b>	RSDC-LAN-ECB	10	T-11A	3/8" NPT	100 – 3000	<b>USD 220</b>
<b>G-SH-073-206</b>	RSDC-LAN-ECC	15		1/2" NPT		<b>USD 220</b>
<b>G-SH-074-223</b>	RSFC-LAN-BCD	30	T-2A	3/4" NPT		<b>USD 323</b>
<b>G-SH-075-209</b>	RSHC-LAN-HCE	60	T-17A	1" NPT		<b>USD 672</b>
<b>G-SH-075-221</b>	RSHC-LAN-HCM			SAE 16		<b>USD 672</b>

# VALVULA DE SECUENCIA CON CHECK INTEGRADO PILOTO INTERNO / DRENAJE EXTERNO

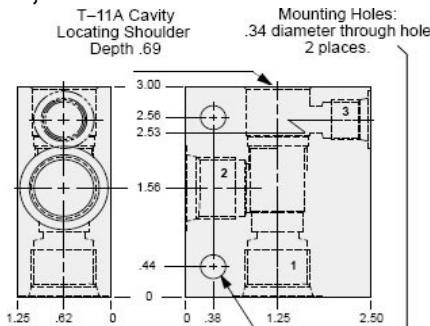


CODIGO	MODELO	PUERTOS NPT	GPM	AJUSTE PSI	PRECIO DOLARES
21-P-044	RD-1075-SM (IP/ED)	3/4"	30	350-1700	USD 353

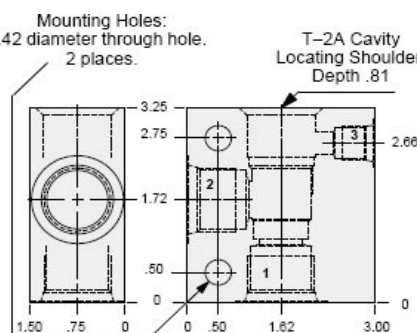


Typical Cartridge Model Code	Cartridge Dimensions			
	a	b	c	
	L	C		
SCCA – LAN	1.38	7/8"	3.09	3.15
SCEA – LAN	1.38	1 1/8"	3.47	3.53
SCGA – LAN	1.81	1 1/4"	3.94	4.00

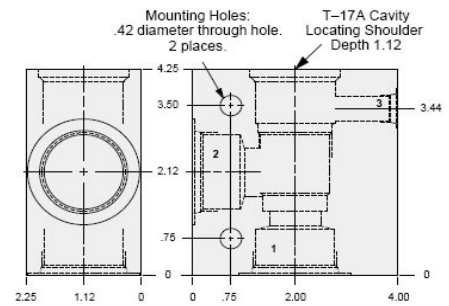
### ECB, ECC



### BCD



### HCE, HCM



CODIGO	MODELO	GPM	CAVIDAD	PUERTOS	PRESION PSI	PRECIO DOLARES
G-SH-077-205	SCCA-LAN-ECB	10	T-11A	3/8" NPT	500 – 3000	USD 272
G-SH-077-206	SCCA-LAN-ECC	15		1/2" NPT		USD 272
G-SH-078-223	SCEA-LAN-BCD	30	T-2A	3/4" NPT		USD 387
G-SH-079-209	SCGA-LAN-HCE	60	T-17A	1" NPT		USD 745
G-SH-079-221	SCGA-LAN-HCM			SAE 16		USD 745